

947 Series Relay

FEATURES

- UL safety approval.
- Rushing current of 55A and rated switching current of 30A are available in spite of small size.
- Employment of suitable plastic materials to be applied to high temperature and various chemical solutions.
- Dielectric strength: 4000 VAC.
- 1 Form A (SPST) contact.
- Nominal power 900mW.
- Operating power 510mW.
- P.C.B. Terminal & Quick Connect Terminal.
- Washable type.



UL FILE NO: E162117/E169563

CONTACT RATINGS

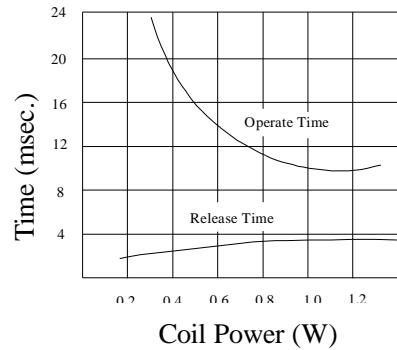
- Contact Arrangement1 Form A (SPST-NO)
- Max. Switching Power.....5000VA
- Max. Switching Voltage.....250VAC
- Max. Switching Current.....30A
- Contact Resistance..... $\leq 100m\Omega$
- Rating Load30A/125VAC
.....20A/250VAC
- Contact MaterialAg Alloy

CHARACTERISTICS

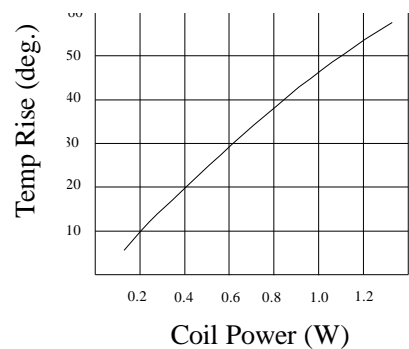
- Electrical Lif..... 1×10^5
- Mechanical Life 1×10^7
- Initial Insulation Resistance.....Min. 100M Ω 500VDC
- Contact Resistance (Initial)..... $\leq 100m\Omega$
- Operate Time..... $\leq 20ms$
- Release Time $\leq 10ms$
- Initial Dielectric Strength
.....50/60Hz 1000VAC 1 min. (between open contacts)
.....50/60Hz 4000VAC 1 min. (between contacts and coil)
- Vibration Resistance
..... Malfunction:10 to 55Hz at Double Amplitude of 1.5mm
.....Destructive: 10 to 55Hz at Double Amplitude of 1.5mm
- Shock Resistance
..... Malfunction: 10G (11ms) / Destructive: 100G (6ms)
- Ambient Temperature..... $-30^{\circ}C \sim +70^{\circ}C$
- Relative Humidity.....85% at $40^{\circ}C$
- Unit WeightApprox 23g

947 Referential Data

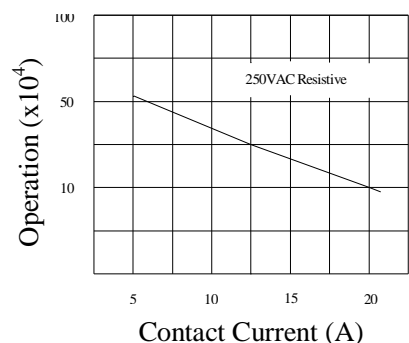
Timing



Coil Temperature Rise



Life Curves



ORDERING INFORMATION

947 - 1A - 6 D
 1 2 3 4

Coil Type.....D: DC.
 Coil Voltage.....3~60V
 Contact Arrangement.....1A = 1 Form A (SPST-NO)
 Model Number.....947

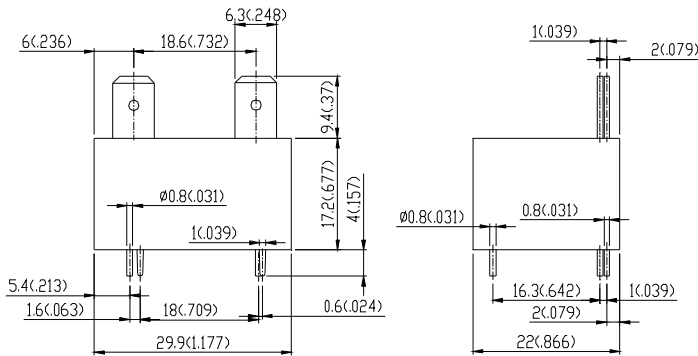
COIL RATINGS (at 20°C)

COIL TYPE	Coil Nominal Voltage (V)	Coil Resistance ($\Omega \pm 10\%$)	Pick-Up Voltage (V) \leq	Drop-Out Voltage (V) \geq	Nominal Current (mA)
DC Standard Coils	3	10	2.25	0.3	300
	5	27.7	3.75	0.5	180.5
	6	40	4.5	0.6	150
	9	90	6.75	0.9	100
	12	160	9	1.2	75
	18	360	13.5	1.8	50
	24	650	18	2.4	36.9
	48	2560	36	4.8	18.8
	60	4000	48	6	15

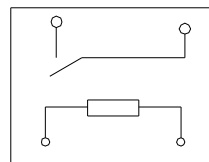
* Max Continuous Voltage at 20°C: 110% of Coil Nominal Voltage.

OUTLINE DIMENSIONS

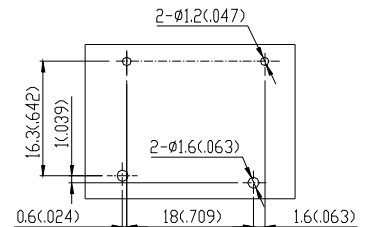
Dimensions



**Internal Connections
(Bottom View)**



**Drilling Plan
(Bottom View)**



REMARK: Tolerance of outline dimensions: $\pm 0.2(.008)$

UNIT: mm (inch)